



FRONT MOUNTED ROTARY OPERATOR  
EMERGENCY-STOP IEC IP30/40 IEC IP30/40 3VA1  
100/160



Figure similar

Model		
product brand name		SENTRON
Design of handle		red-yellow
Protection class IP		IP30
Product details		
Product component / axis extension		No
Product property / lockable		Yes
Accessories		
accessories		Direct rotary operating mechanism
Height	mm	70
Depth	mm	94
Net weight	g	197

General Product Approval	EMC	Declaration of Conformity	Test Certificates	other
		<a href="#">sonstig</a>	<a href="#">Typprüfbescheinigung/Werkszeugnis</a>	<a href="#">sonstig</a>
VDE		EG-Konf.		

## Further information

### Information- and Downloadcenter (Catalogs, Brochures,...)

<http://www.siemens.com/lowvoltage/catalogs>

### Industry Mall (Online ordering system)

<https://eb.automation.siemens.com/mall/en/WW/Catalog/Product/3VA91570EK15>

### Service&Support (Manuals, Certificates, Characteristics, FAQs,...)

<http://support.automation.siemens.com/WW/view/en/3VA91570EK15/all>

### Image database (product images, 2D dimension drawings, 3D models, device circuit diagrams, ...)

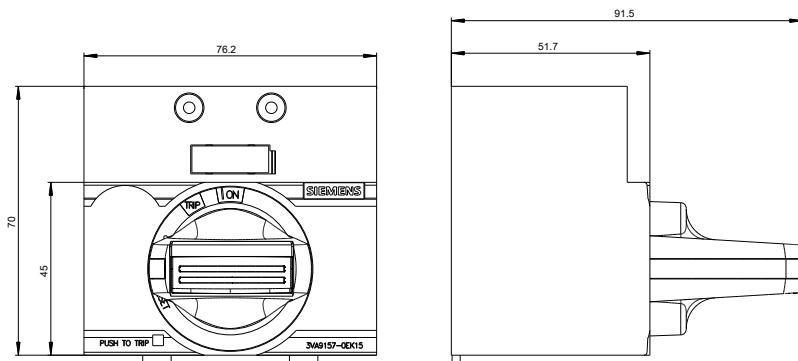
[http://www.automation.siemens.com/bilddb/cax\\_en.aspx?mlfb=3VA91570EK15](http://www.automation.siemens.com/bilddb/cax_en.aspx?mlfb=3VA91570EK15)

### CAX-Online-Generator

<http://www.siemens.com/cax>

### Tender specifications

<http://ausschreibungstexte.siemens.com/tiplv>



last modified:

20.07.2015